

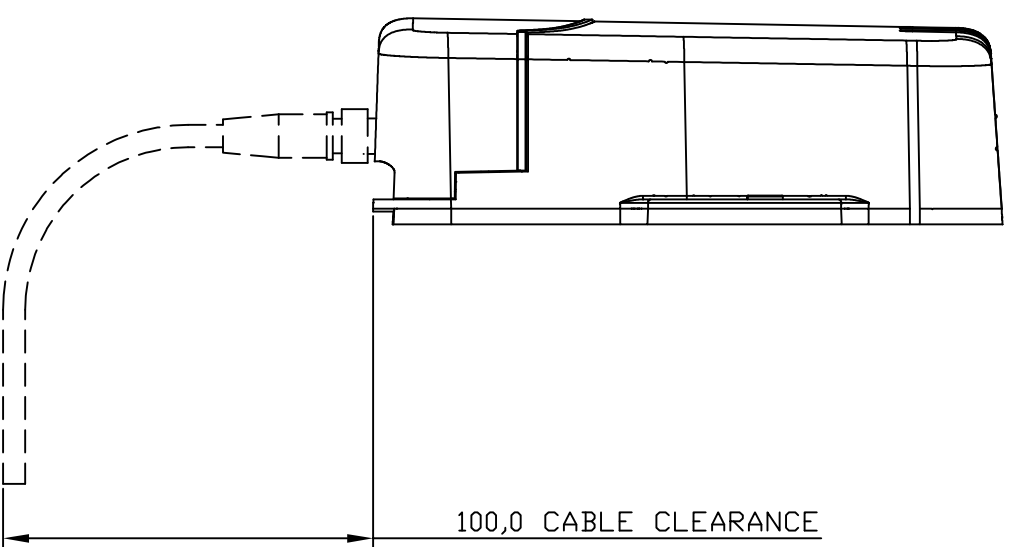
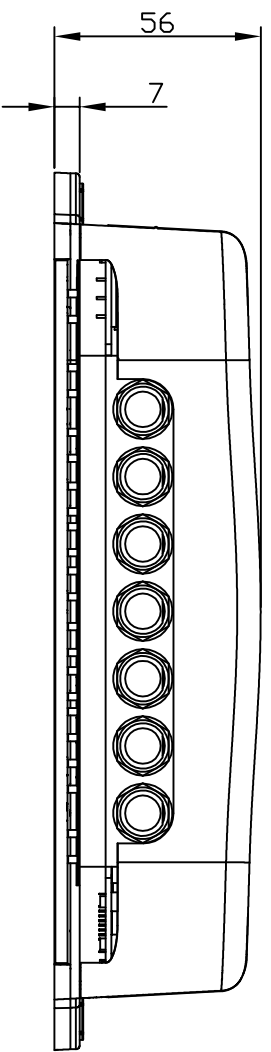
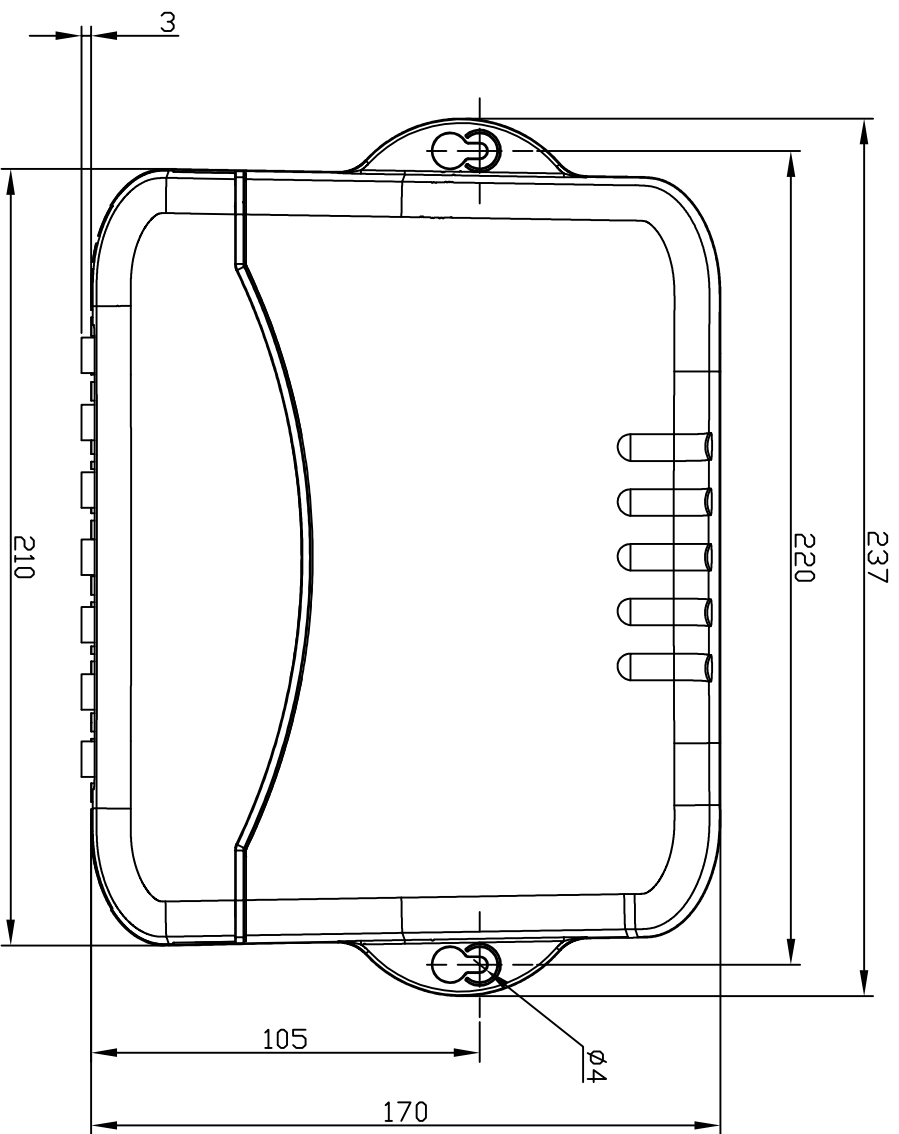
Information Terms & Conditions

Please read the following terms and conditions carefully before using the supplied Information. By using the supplied information from Raymarine Ltd, you agree to these terms and conditions. If you do not agree, you should not use this information.

The Information supplied is **copyrighted** and may not be distributed, downloaded, modified, reused, reposted or otherwise used, except as provided herein, without the express written permission of Raymarine Ltd.

Raymarine Ltd will use reasonable efforts to include **accurate and up-to-date** at the time of request or issue. All product information supplied including illustrations, specifications and dimensions, is believed to be reliable as of the date created, but is subject to change without notice. Nevertheless, Raymarine Ltd makes no warranty or representation as to its accuracy. Content may contain technical inaccuracies, typographical errors and may be changed or updated without notice. Raymarine Ltd may also make improvements and/or changes to the products at any time without notice.

Therefore, you agree that usage of this information is at your own risk. Neither Raymarine Ltd nor any party involved in creating, producing or delivering this Information shall be liable for any direct, incidental, consequential, indirect or punitive damages arising out of your usage or inability to access or any errors or omissions in its content.



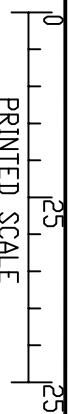
NOTES:

- 1) FOR INFORMATION ON CONNECTIONS AND PRODUCT SPECIFICATIONS, PLEASE REFER TO HANDBOOK, PRODUCT SUPPORT AND WORKSHOP MANUALS.
- 2) FOR ANY DIMENSIONAL INFORMATION NOT INCLUDED PLEASE CONTACT YOUR SALES REPRESENTATIVE.
- 3) DIMENSIONS SHOWN ARE ACTUAL PRODUCT SIZE AND DO NOT INCLUDE ANY CLEARANCE DATA.

Raymarine
ONBOARD

THE INFORMATION CONTAINED HEREIN SHALL NOT BE REPRODUCED WITHOUT THE PRIOR WRITTEN PERMISSION OF RAYMARINE LTD

©2001 RAYMARINE LTD



DRAWN TO BS308

DO NOT SCALE - IF IN DOUBT ASK

DRN:	L.YEDMANS	DATE:	13/11/06
DIMENSIONS IN MM		SCALE:	1:2

TITLE	GVM400
DRAWING No.	CH_GVM400